



# QUICKGUIDE

## STEP BLE CONTROLLER ST2048-PICO-DC

Edition 1



MANUAL

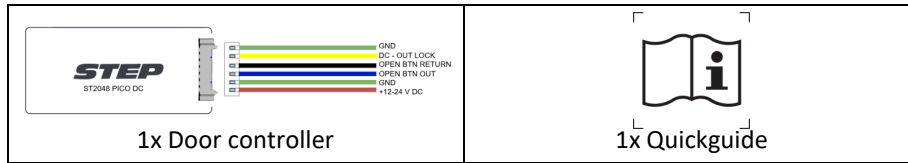


---

*When it has to work.*



## In the package



## Introduction

ST2048-PICO Door controller can be powered by DC 12-24v +/- 20% , This device is a BLE (Bluetooth controlled) device. To control the device you need to download Steplock Lite app from Appstore or Play store.

## Installation

The formfactor of ST2048-PICO is set so it can fit behind a normal lock in the door. You simply connect the device according to the connection section of the manual.

## App

1. Start to download the Steplock lite app from Play store (Android) or Appstore (IOS),
  2. Create an account if you not have one already.
  3. Login
- (NEW SYSTEM)** to add a second device see point 8-10
4. Press the gear and select "Create system"
  5. Press Scan QR, and scan the QR on the back of the device you install.
  6. Give the system a name and press create.
  7. Now you have your new system up and running, go to administration and make settings for the device.

### (EXTRA DEVICES)

8. If you want to add more devices you navigate to "Administration" -> "Handle Devices"
9. Press "Add device" up in left top of the app.
10. Select scan QR and scan your device.

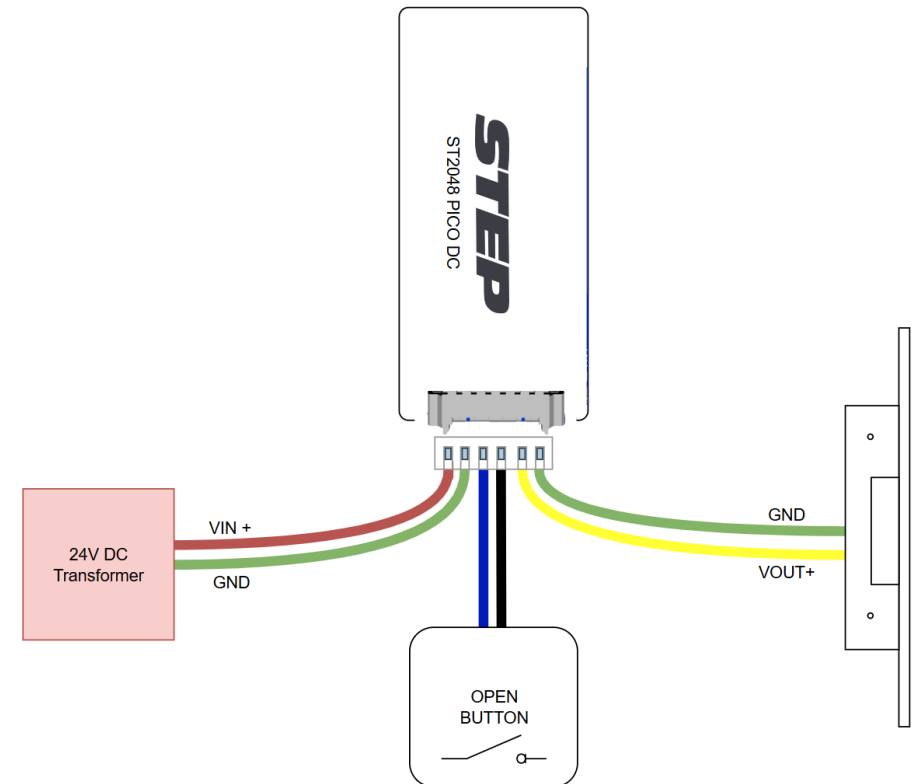
### (DEVICE SETTINGS)

11. You can change device settings by open the device in "Administration -> "Handle Devices" -> "Click on your device"
12. For ST2048 you can edit open time and name.

### (INVITE USERS)

13. You invite new users to use the system by open "Administration" -> "Handle Ekeys" -> "Add Ekey"
14. Add users Name in the username field.
15. Add users email in the email field
16. Select role (Administrator or User) a Administrator can help administrate the system and a user can only open the doors you have selected for the specified user.
17. Press Add.
18. Congrats your system is ready for use !!!

## Connections



## Connector

PIN	Description
12-24V +	Power INPUT 12-24V DC
(2) GND	Power ground
(3) BTN OUT	Open button out
(4) BTN IN	Open button return
(5) LOCK DC+	Power OUTPUT 12-24v + DC (Same as input)
(6) LOCK GND	Power OUTPUT ground