

STEP
LOCK

QUICKGUIDE

STEP HANDLE READER ST2012

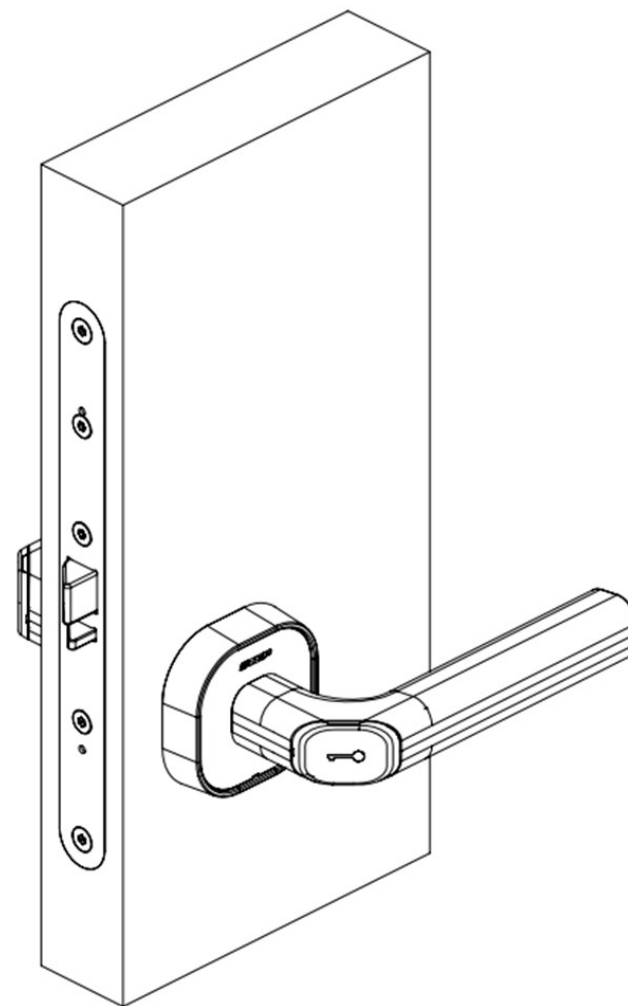
Edition 1



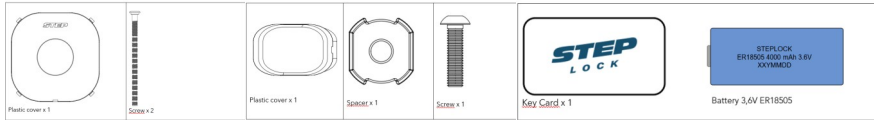
MANUAL

STEP
LOCK

When it has to work.



In the package



Introduction

ST2012 Handle reader is powered by a 3,6V battery. ER18505. This device is a BLE (Bluetooth controlled) device. To control the device you need to download Steplock Lite app from Appstore or Play store.

Installation

The Handle reader can be mounted on a modern standard Swedish lock house and Euro DIN. You simply connect the device according to the connection section of the manual.

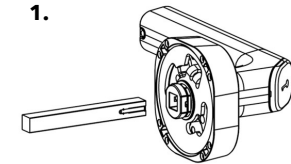
App

1. Start to download the Steplock lite app from Play store (Android) or Appstore (IOS),
 2. Create an account if you not have one already.
 3. Login
- (NEW SYSTEM)** to add a second device see point 8-10
4. Press the gear and select "Create system"
 5. Press Scan QR, and scan the QR on the back of the device you install.
 6. Give the system a name and press create.
 7. Now you have your new system up and running, go to administration and make settings for the device.
- (EXTRA DEVICES)**
8. If you want to add more devices you navigate to "Administration" -> "Handle Devices"
 9. Press "Add device" up in left top of the app.
 10. Select scan QR and scan your device.
- (DEVICE SETTINGS)**
11. You can change device settings by open the device in "Administration -> "Handle Devices" -> "Click on your device"
 12. For ST2012 you can edit open time, schedule and name.
- (INVITE USERS)**
13. You invite new users to use the system by open "Administration" -> "Handle Ekeys" -> "Add Ekey"
 14. Add users Name in the username field.
 15. Add users email in the email field
 16. Select role (Administrator or User) a Administrator can help administrate the system and a user can only open the doors you have selected for the specified user.
 17. Press Add.
 18. Congrats your system is ready for use !!!

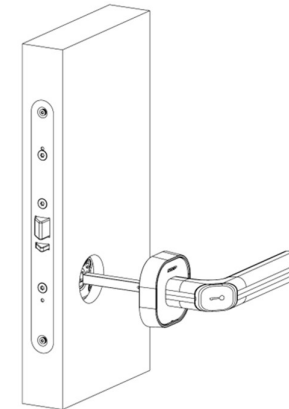
Mounting

1. Install the square peg in the handle so that the spring snaps into the hole, check that it is secured.
2. Install the exterior handle on the outside of the door.
3. Mount the inner rosette with two screws and press the plastic cover into place.
4. Install the inner handle and then press the plastic cover into place.
5. Pull out the battery insulating pull tab to start the handle .

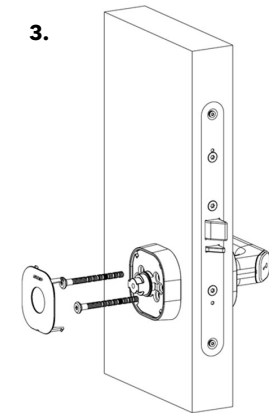
To open the battery cover, a 1,5 mm Allen key is required
Battery: ST2089



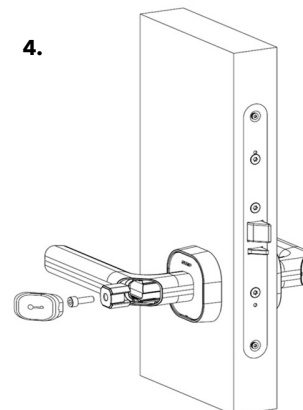
2.



3.



4.



5.

