



Quick Guide

STEP Power 4 PoE+ ST2051

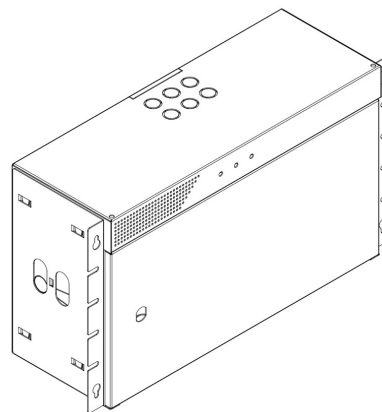
Edition 1



Manual



When it must work



Installation

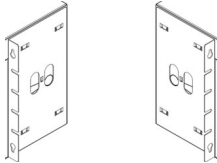
ST2051 can be mounted either on the wall or in a 19" rack.

For rack mounting:

Slide in the mounting plates facing forward until you hear a small click; they are then in the locked position.

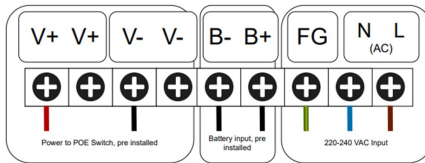
For wall mounting:

Slide in the mounting plates facing backward until you hear a small click; they are then in the locked position.

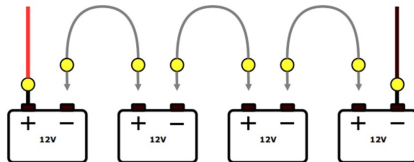


The power supply cannot be started on batteries; startup must be performed with 230 VAC connected. The batteries are not activated until the unit has verified that the correct voltage is present at the battery terminals.

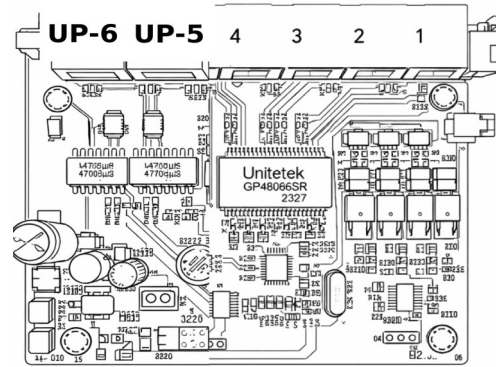
NOTE! Electrical installation must be carried out by a qualified installer or other authorized person in accordance with applicable regulations and standards. Failure to do so may result in a risk of electric shock, fire, and property damage.



4 pcs 12V 7Ah batteries are connected to the battery input (not included). The batteries must be connected in series to obtain 48 VDC.

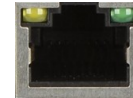


Connections



Location	Description
(1) RJ45	PoE+
(2) RJ45	PoE+
(3) RJ45	PoE+
(4) RJ45	PoE+
(5) RJ45	UP-Link Ethernet
(6) RJ45	UP-Link Ethernet

Status LED-indicators



LED-color	Status	Meaning
Green	Solid	Link established
Green	Flashing	Data activity (Tx/Rx)
Yellow	Solid	PoE active
Off (both)		No link, cable not connected, or error